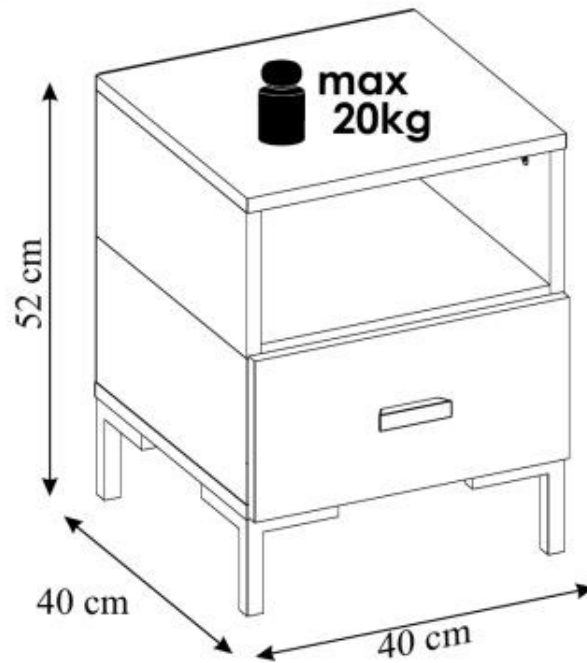
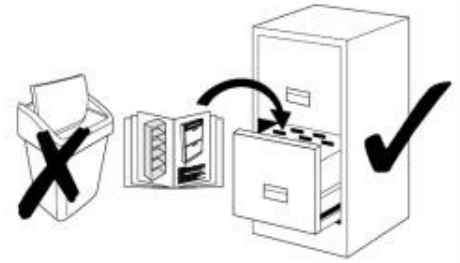


# SILVIA



40 min.



A



B



C



## Attention

### 1. TERMS OF USE:

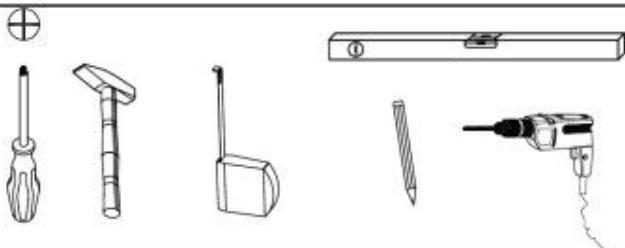
The maximum load of the shelves is 50 kg. Do not place heavy objects on the shelves. Bookstand should not be left in a place with high humidity. The product should be used in accordance with its intended purpose.

### 2. MAINTENANCE:

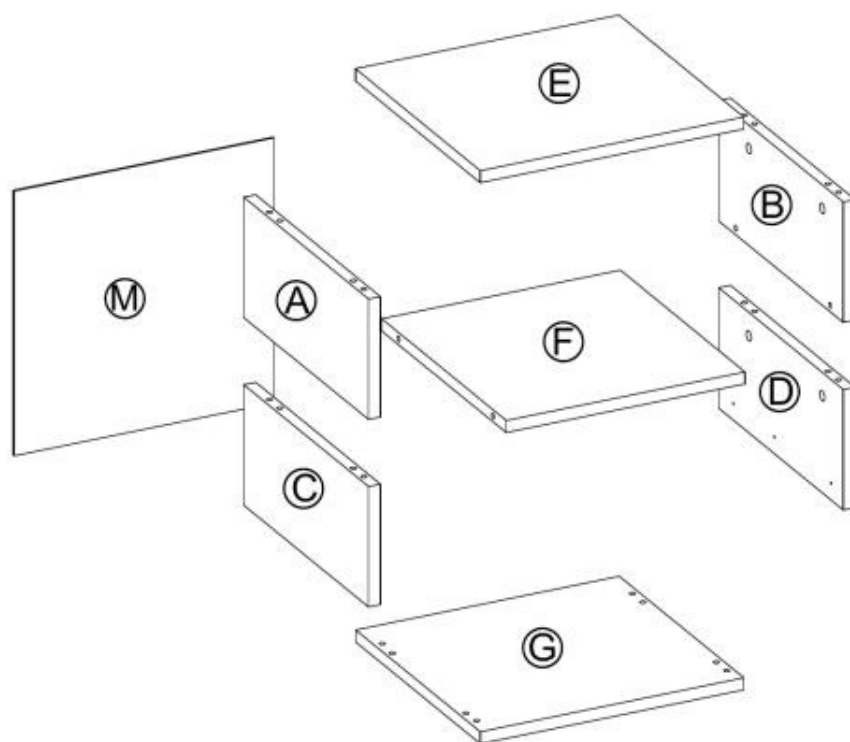
For cleaning dirty upholstery covering use cleaners intended for upholstered furniture. Plastic parts should be cleaned with a commercially available, non-abrasive cleaning agents intended for plastic surfaces. Disassembling any of the bookstand element may result in loss of stability of the bookstand. Repair or replacement of bookstand components can only be done by trained personnel.

### 3. WARRANTY AND GUARANTEE:

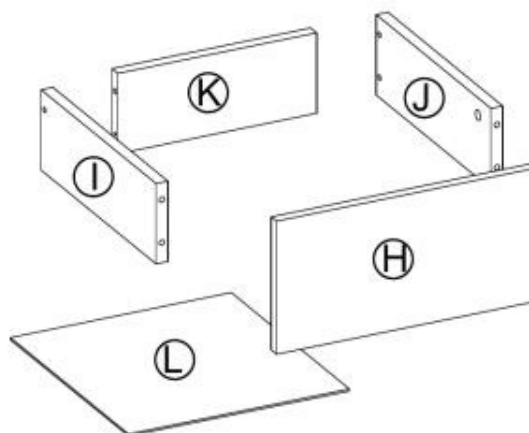
Company Halmar L.L.C. provides a product guarantee in the form of a 12-month warranty.














# SILVIA

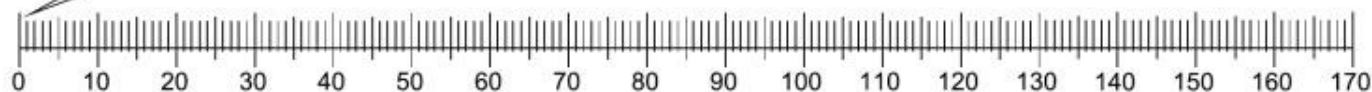
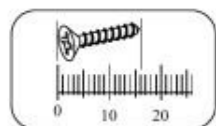
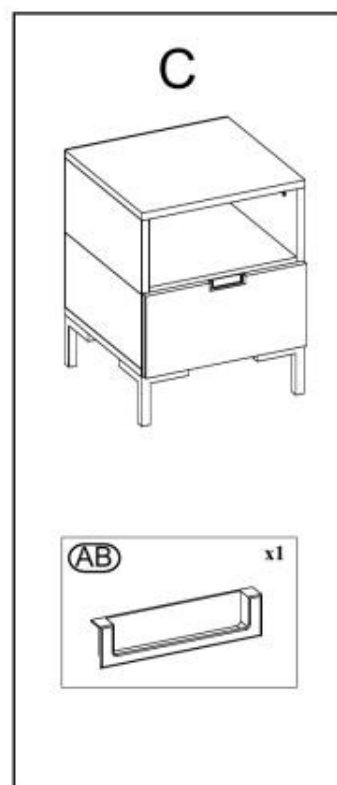
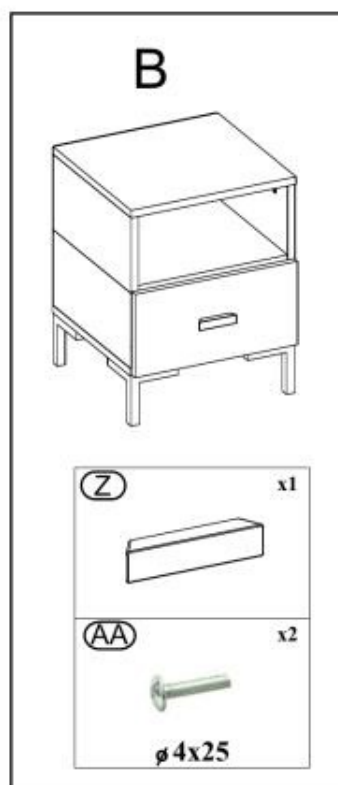
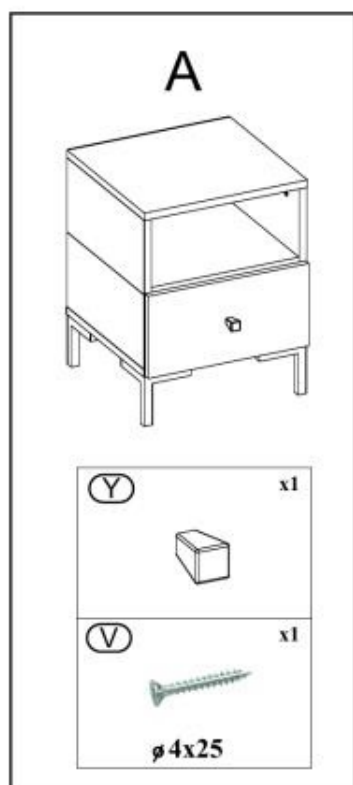


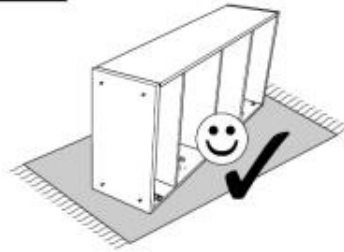
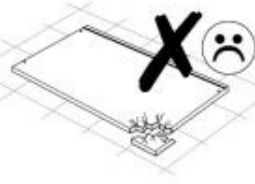
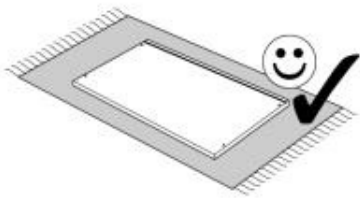
	Kod		
Ⓐ	SI-01	182x380x18	1
Ⓑ	SI-02	182x380x18	1
Ⓒ	SI-03	182x380x18	1
Ⓓ	SI-04	182x380x18	1
Ⓔ	SI-05	402x381x18	1
Ⓕ	SI-06	364x380x18	1
Ⓖ	SI-07	402x380x18	1
Ⓗ	SI-08	396x199x18	1
Ⓘ	SI-09	350x120x18	1
Ⓙ	SI-10	350x120x18	1
Ⓚ	SI-11	303x120x18	1
Ⓛ	SI-12	337x360x3	1
Ⓜ	SI-13	396x396x3	1



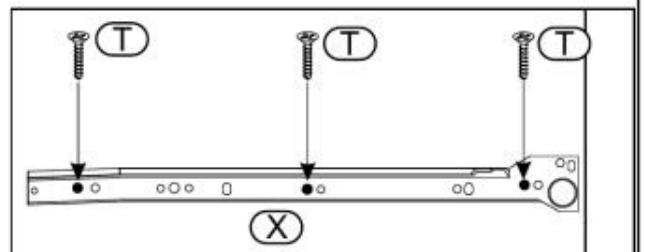
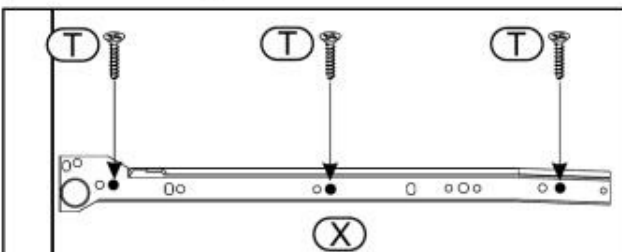
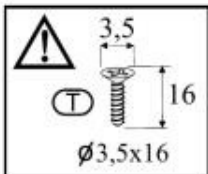
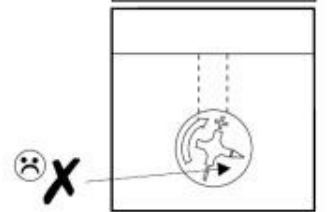
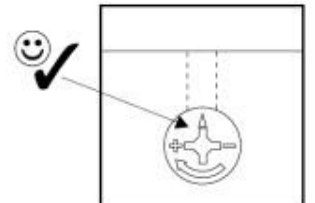
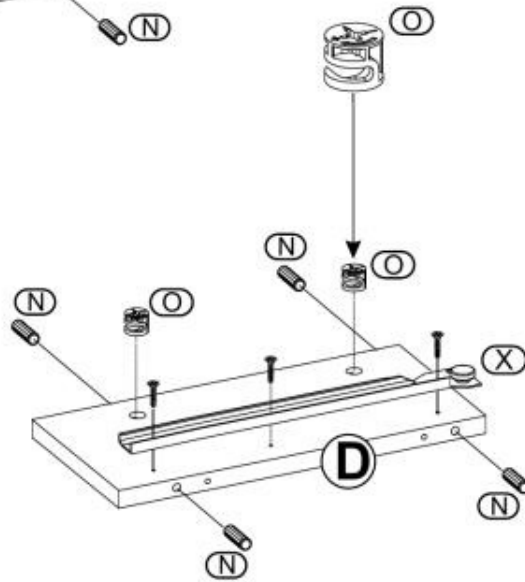
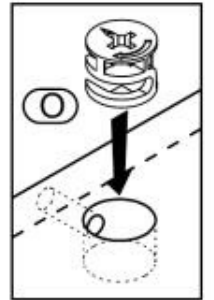
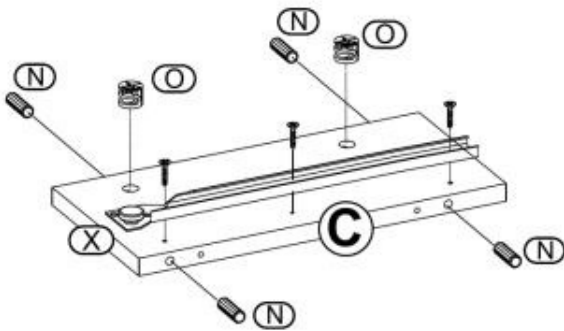
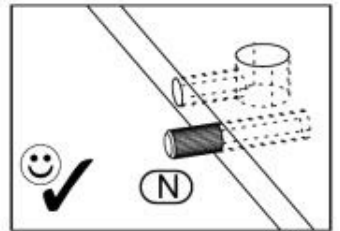
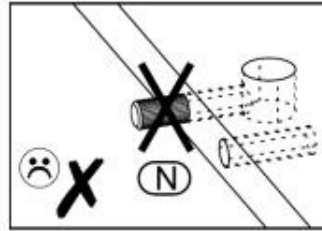
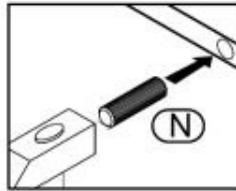
# SILVIA

<p>(N) x20</p>  <p>ø 8x30</p>	<p>(O) x10</p> 	<p>(P) x6</p>  <p>ø 20</p>	<p>(Q) x10</p> 
<p>(R) x6</p>  <p>ø 7x50</p>	<p>(S) x1</p> 	<p>(T) x12</p>  <p>ø 3,5x16</p>	<p>(U) x19</p> 
<p>(V) x16</p>  <p>ø 4x25</p>	<p>(W) x4</p> 	<p>(X) x1</p>  <p>L-350</p>	

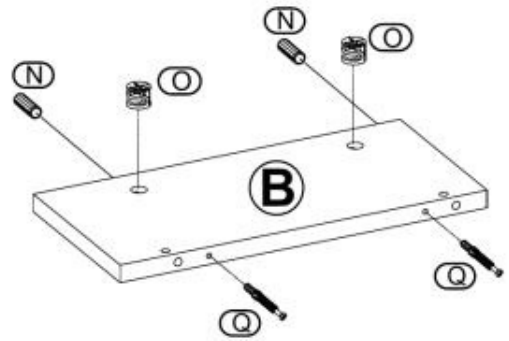
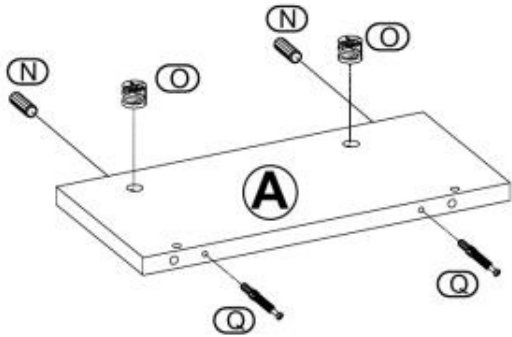
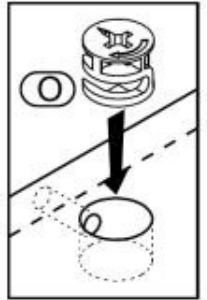
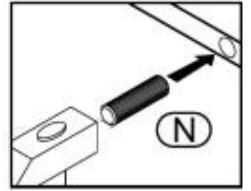
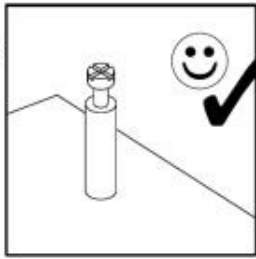
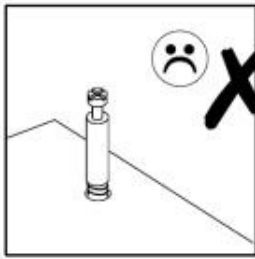




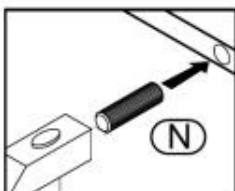
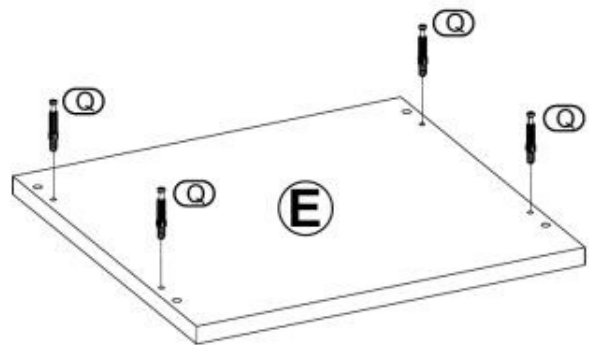
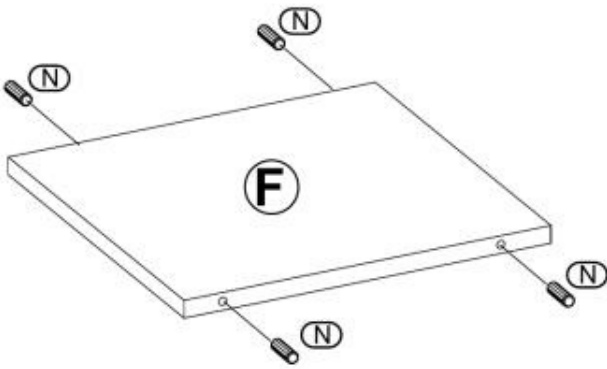
1



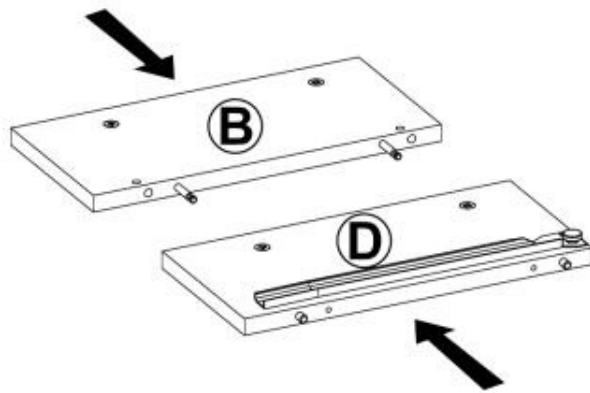
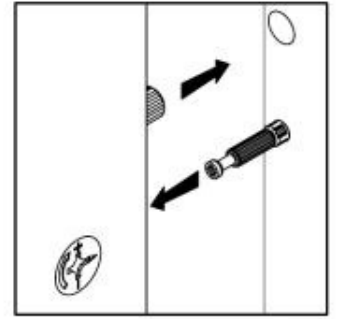
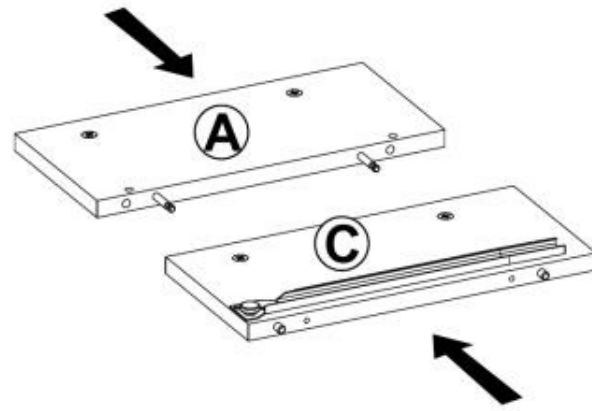
2



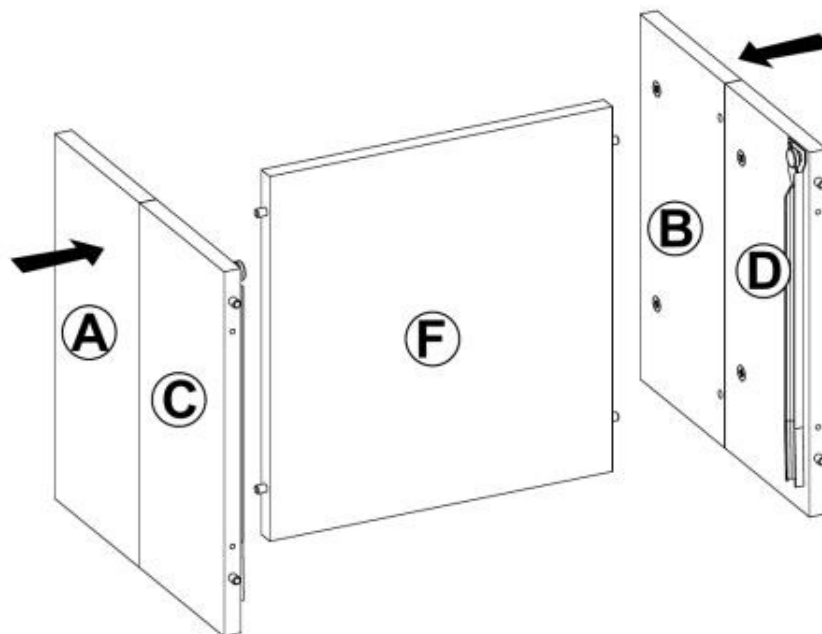
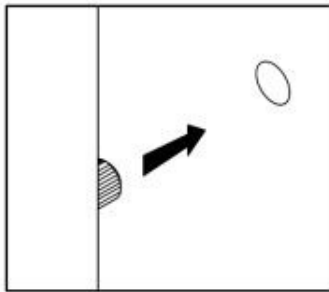
3



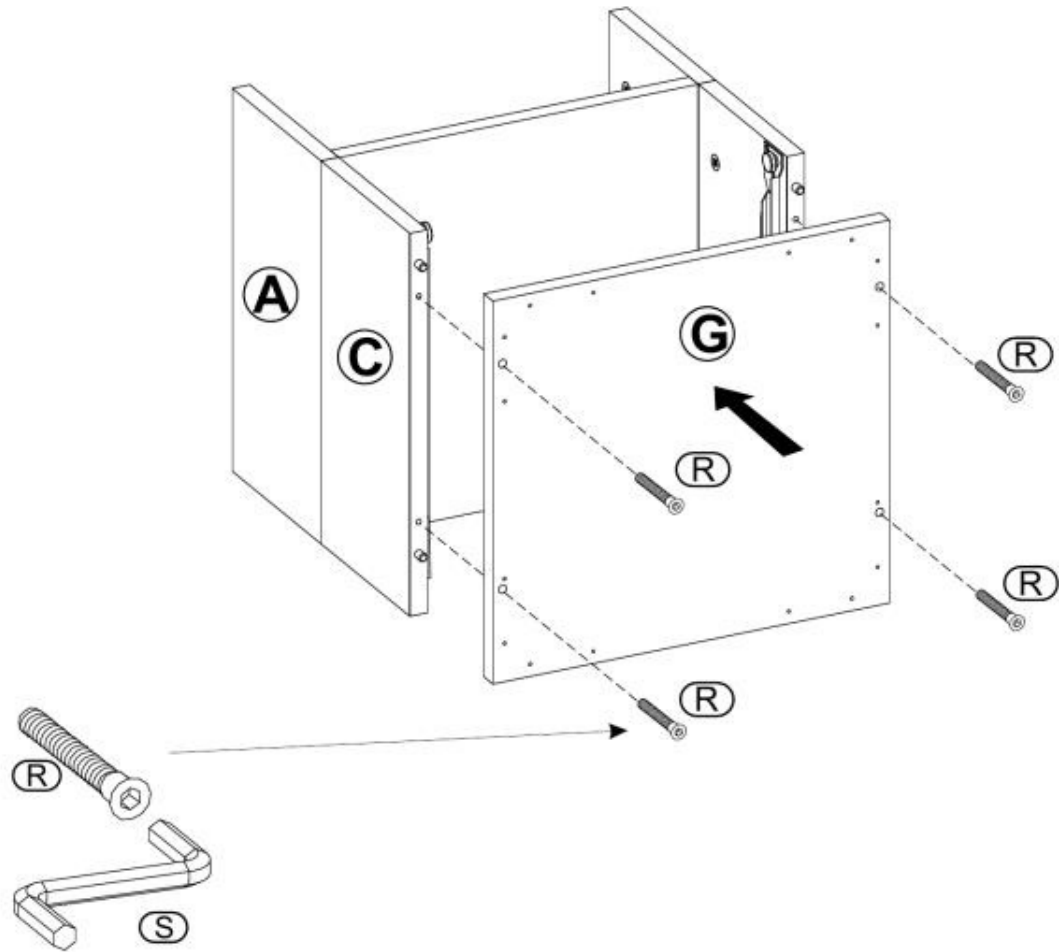
4



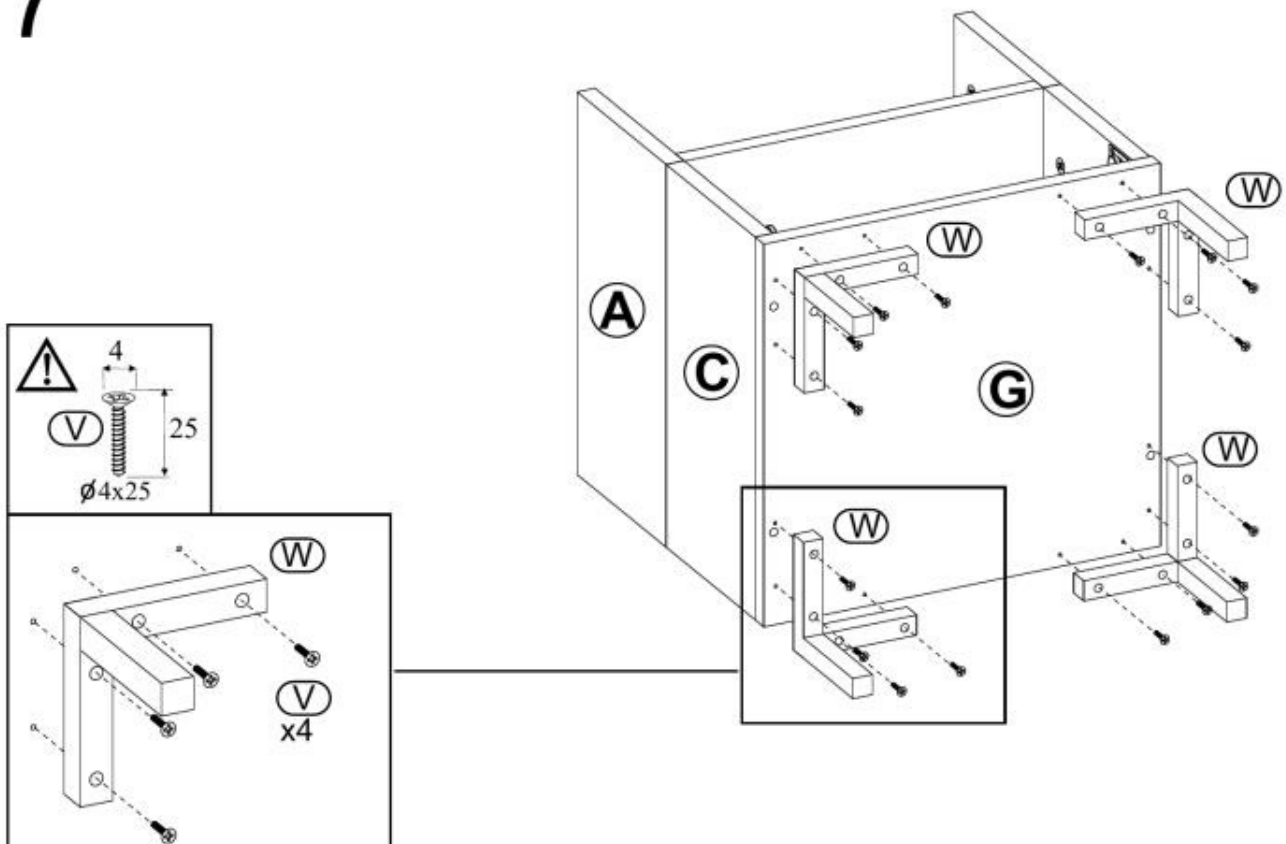
5



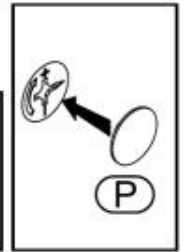
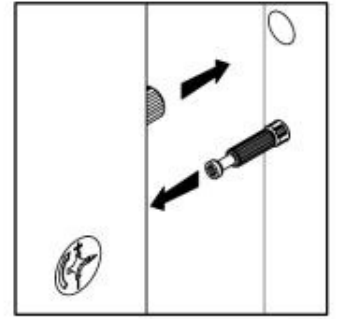
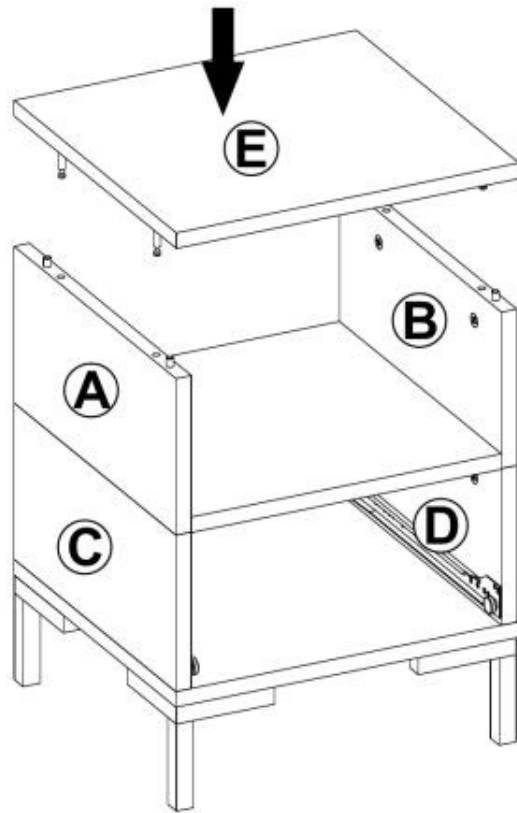
# 6



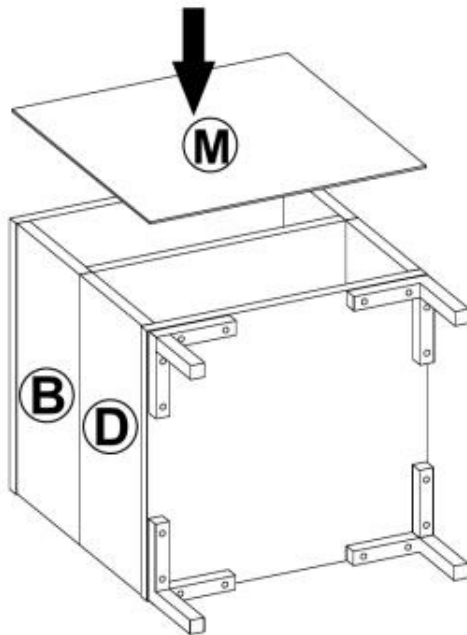
# 7



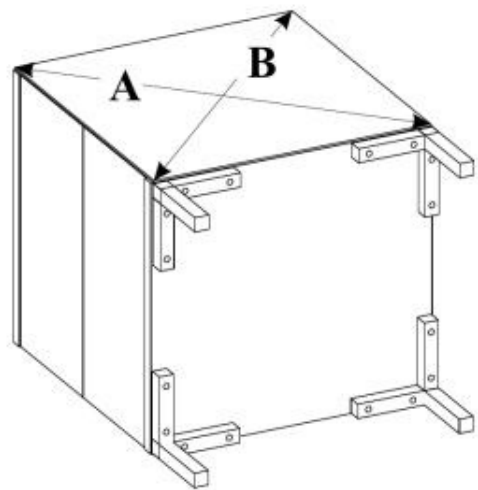
8



9

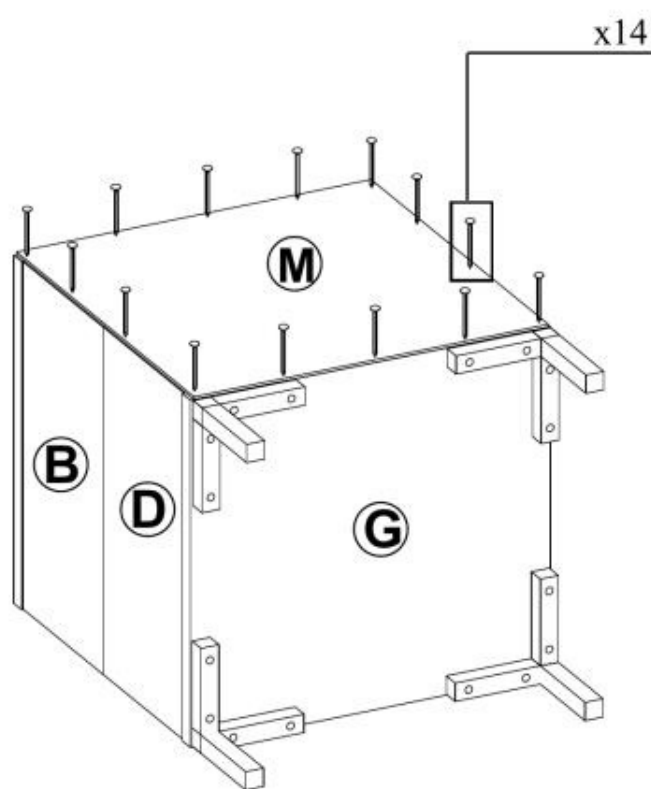
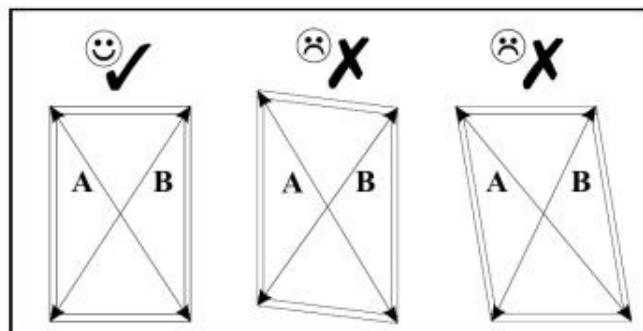


  
A=B

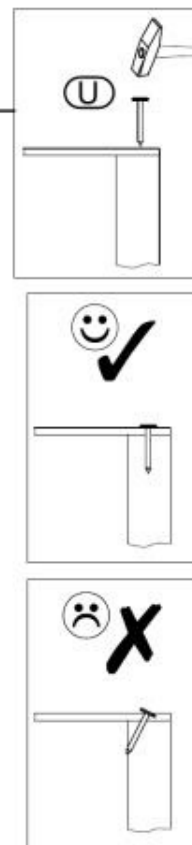




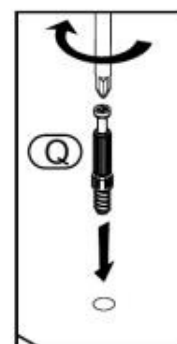
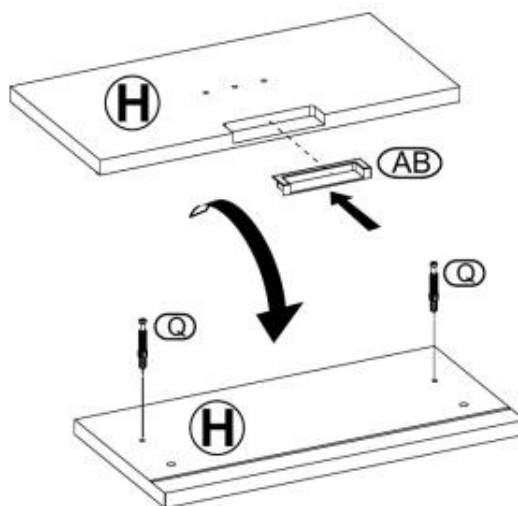
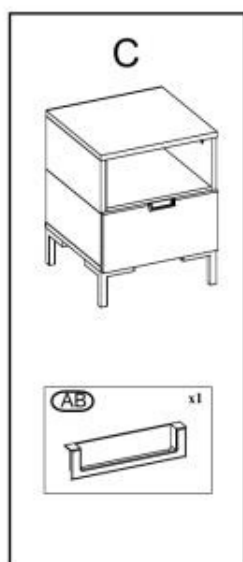
# 10



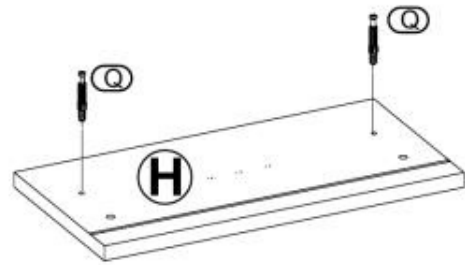
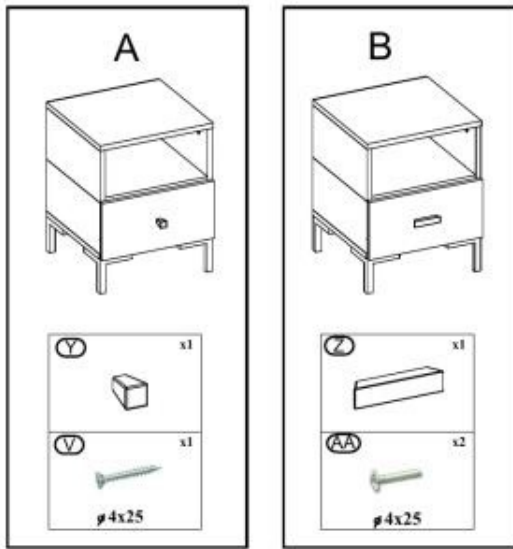
x14



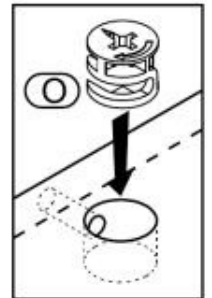
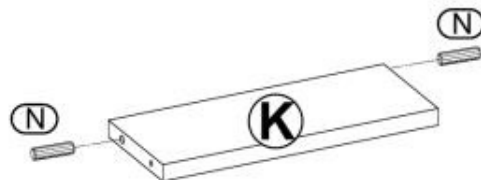
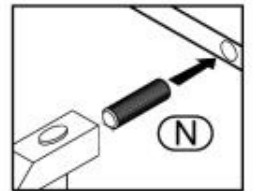
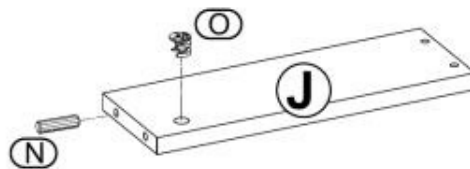
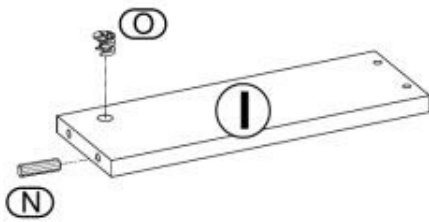
# 11



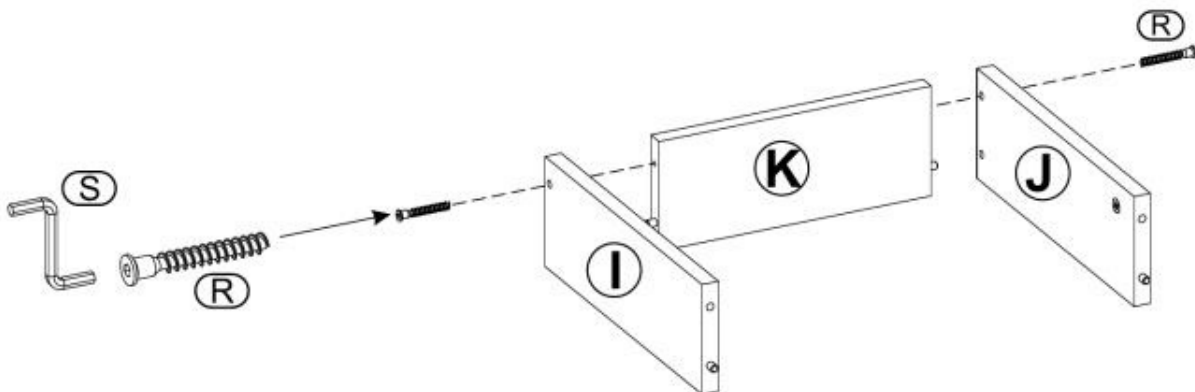
# 12



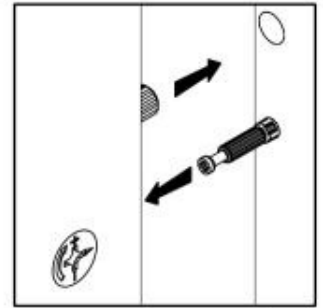
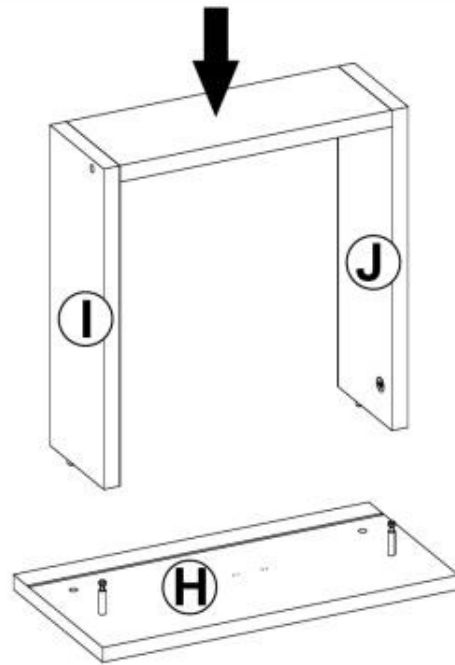
# 13



# 14

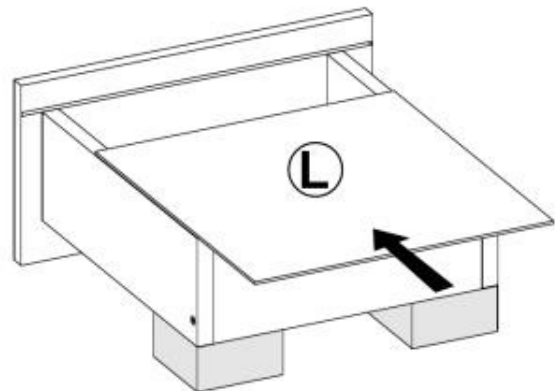
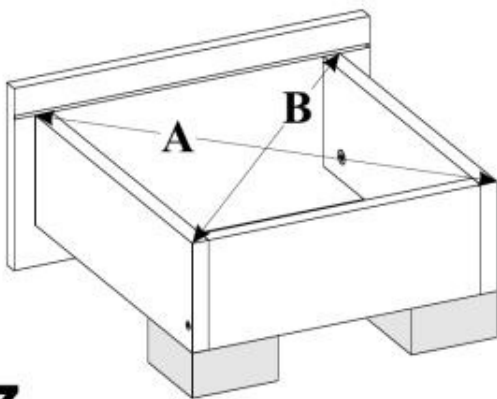


# 15

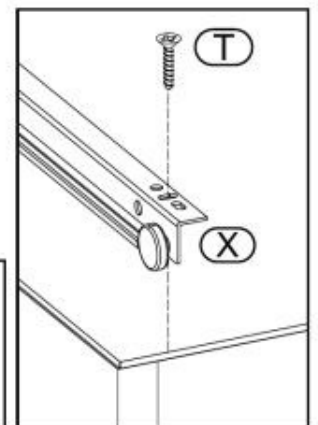
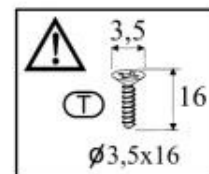
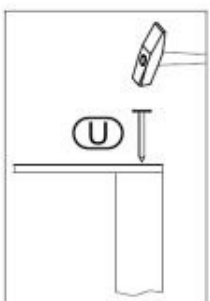
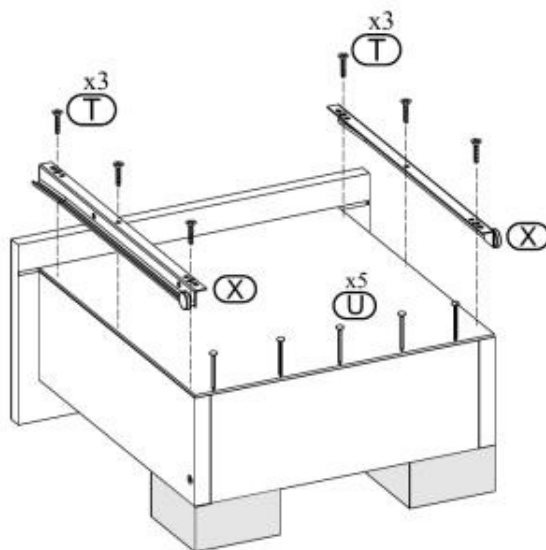


# 16

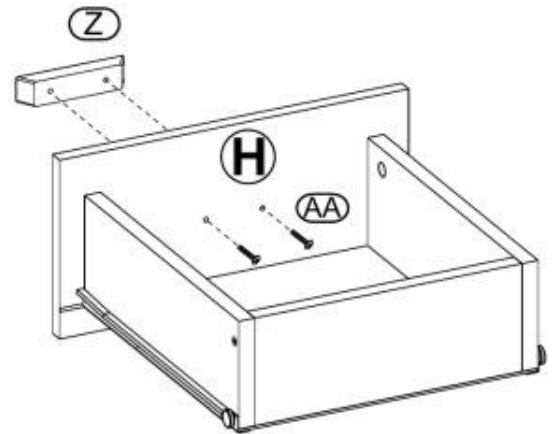
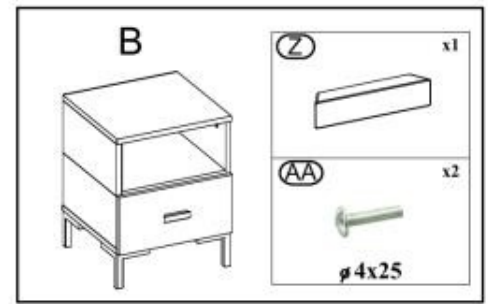
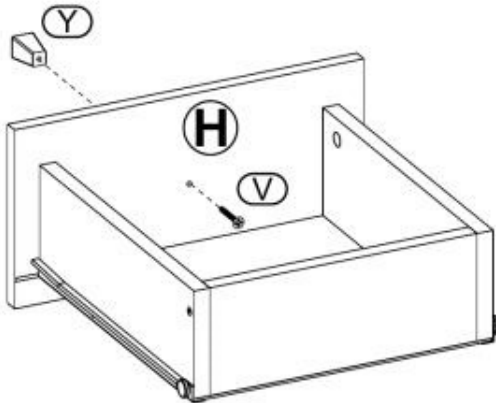
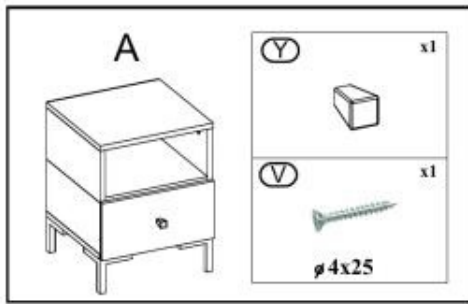
**A=B**



# 17



# 18



# 19

