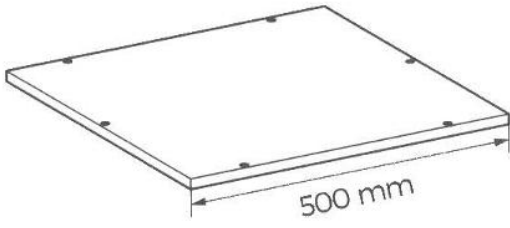
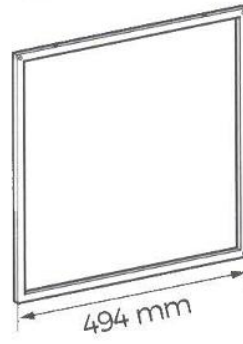


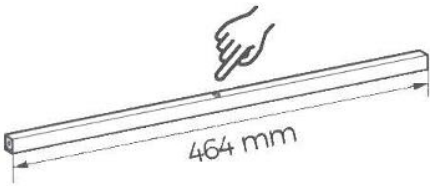
A × 1



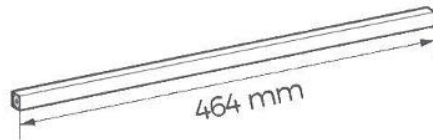
B × 2



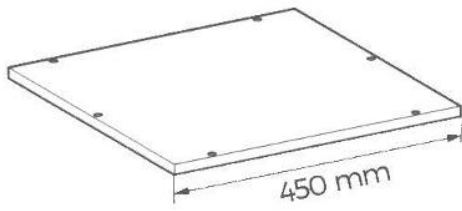
C × 2



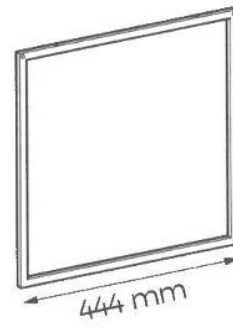
D × 1



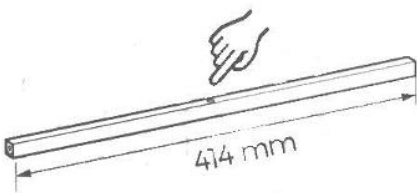
E × 1



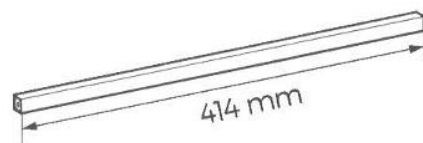
F × 2



G × 2



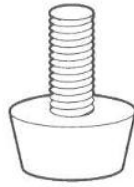
H × 2



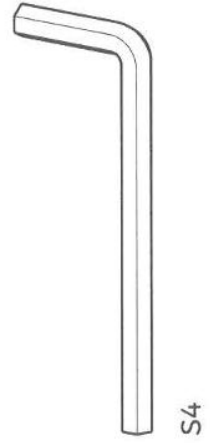
1 26+2

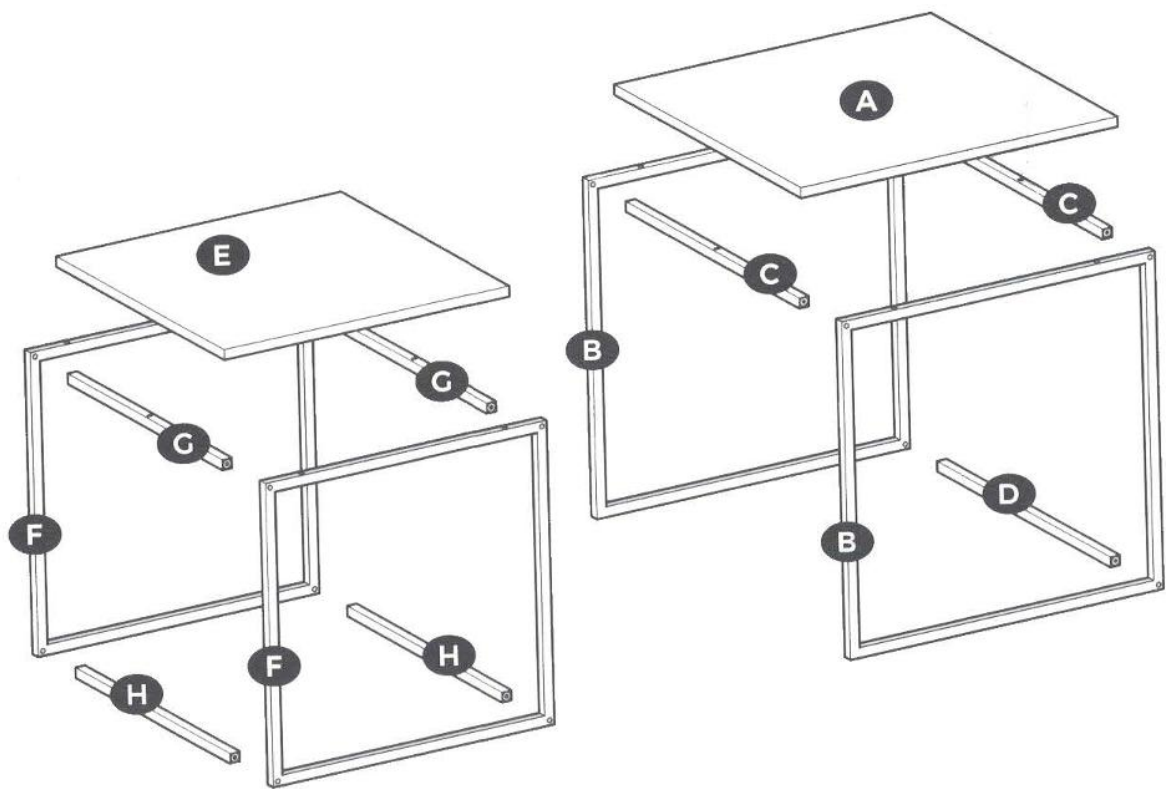


2 x 8

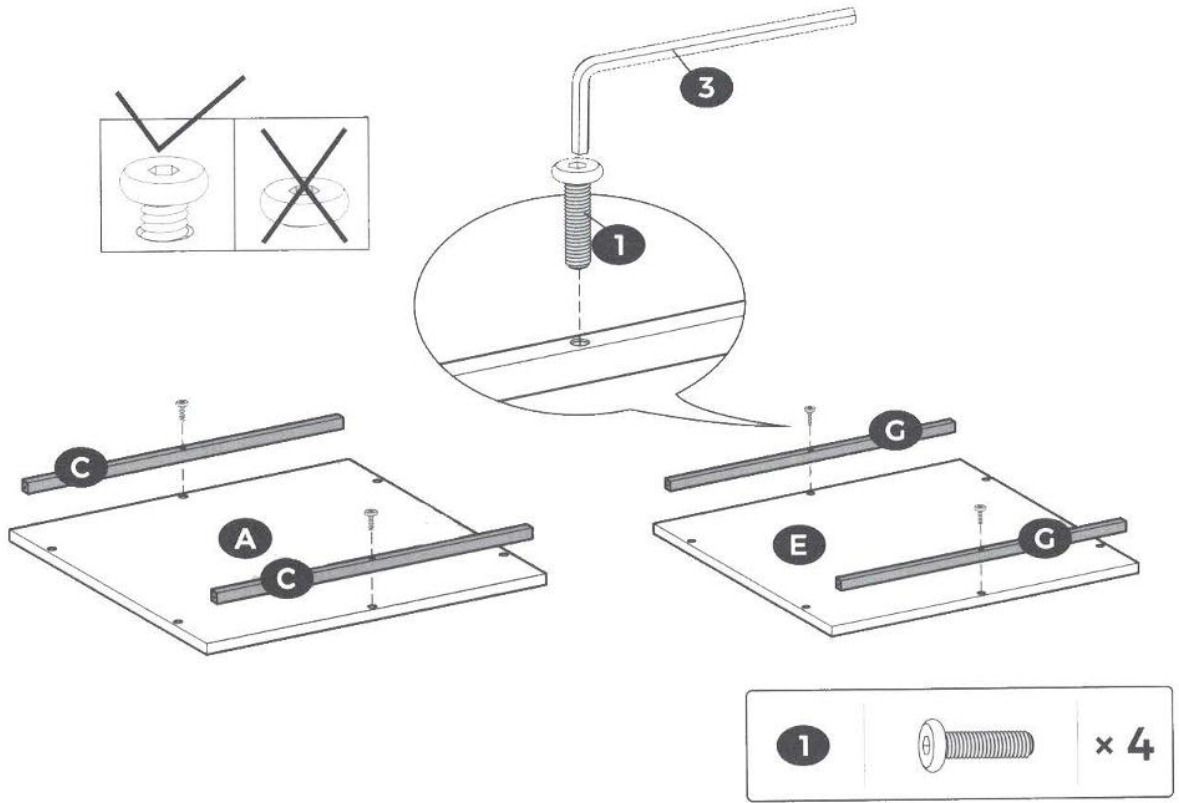


3 x 1

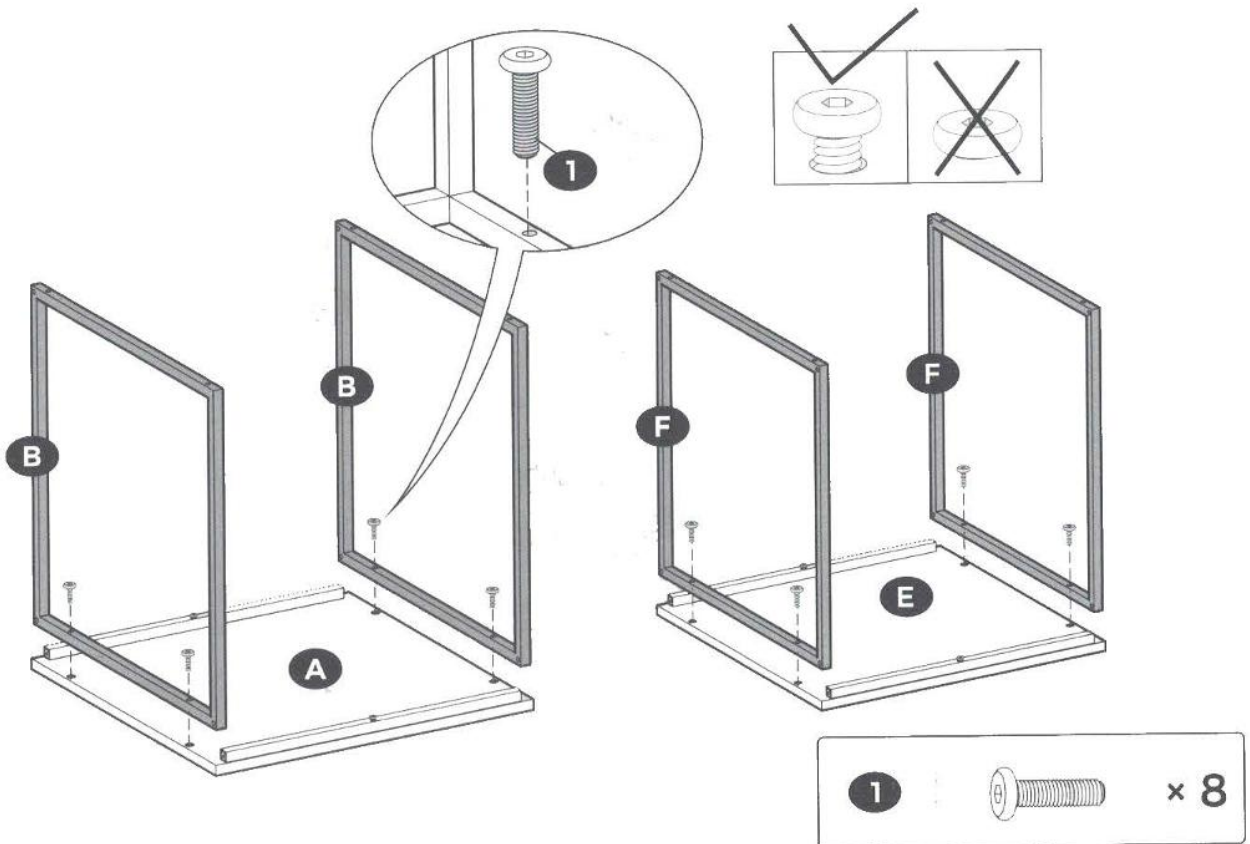




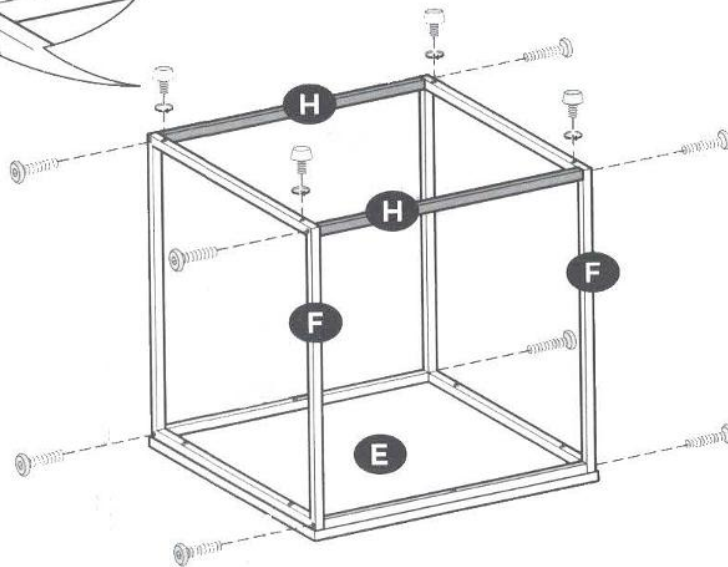
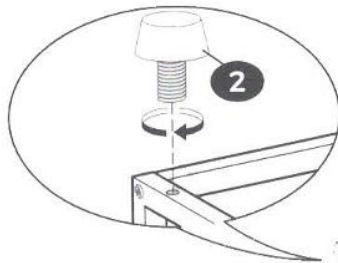
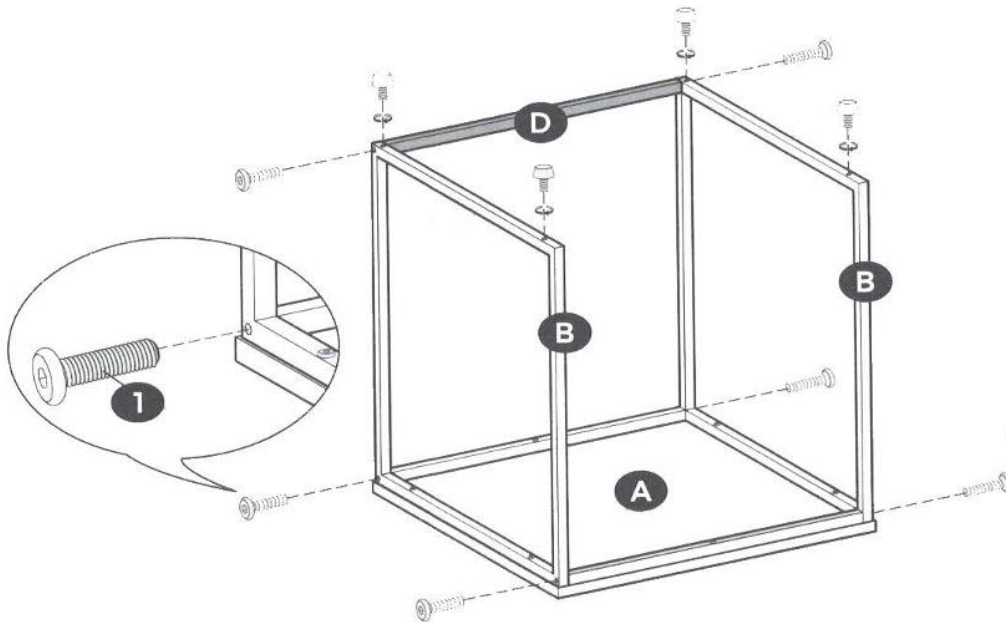
1





2



3



1		× 14
2		× 8

4

